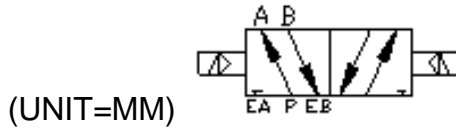

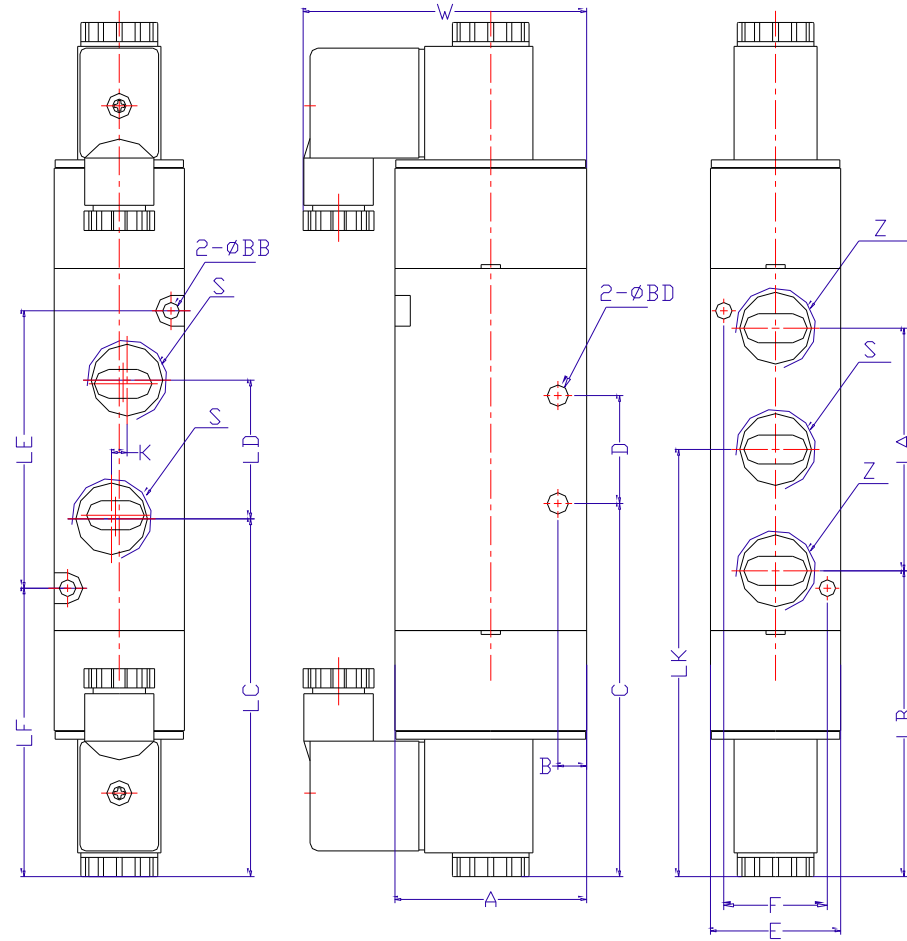


## STC Solenoid and Pneumatic Directional Control Valve: 4V120-420 Series Specifications



Part No.	Unit Price	Valve Picture	Port Size (NPT)	Voltage Options	Electrical Entry Options	Port No/ Position/Solenoid	Cv Flow Rate	Response Time	Power Consumption
4V120-1/8	\$38.99		1/8 NPT	1=12VDC 2=24VDC 2A=24VAC 3=110VAC 4=220VAC (50/60Hz)	G=Grommet D= DIN (with LED indicator)	5/2/2 Double Solenoid Four Way Valve	Cv = 0.67 25 SCFM @100 PSI	< 20 ms	2.5 W
4V220-1/4	\$38.99		1/4 (inlet/outlet) 1/8(Exhaust)				Cv = 0.89 53 SCFM @100 PSI	< 20 ms	3-4.8 W
4V320-1/4	\$47.82		3/8 (in/outlet) 1/4 (Exhaust)				Cv = 1.68 80 SCFM @100 PSI	< 20 ms	
4V420-1/2	\$83.69		1/2 NPT				Cv = 2.79 160 SCFM @100 PSI	< 20 ms	

MODEL: 4V120; 4V220; 4V320; 4V420  
MODEL: 4V130; 4V230; 4V330; 4V430



Model	A	B	C	D	E	F	K	L	S	W	Z	BB	BD	LA	LB	LC	LD	LE	LF	LH	LK
4V120-1/8	27	4.0	62.8	14	18	13	3	139.5	1/8	53.5	1/8	3.3	3.3	28	56.0	52.0	16	30	54.8	10	69.8
4V220-1/4	35	7.0	74.9	20	22	17	3	169.8	1/4	66.5	1/8	3.3	4.3	36	66.9	74.4	21	38	65.9	18	84.9
4V320-3/8	40	6.5	82.4	24	27	20	4	188.8	3/8	69	1/4	4.3	4.3	45	71.9	82.4	24	50	69.4	18	94.4
4V420-1/2	50	7.5	96.9	28	34	27	4	217.5	1/2	73.5	1/2	4.3	5.5	63	79.4	92.9	36	72	74.9	18	110.9